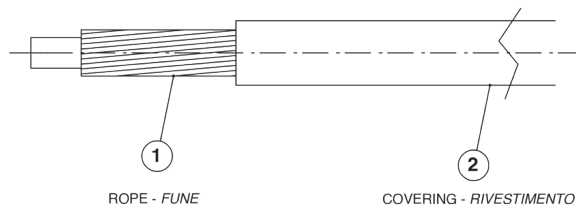


Coated wire ropes - *Funi plastificate*

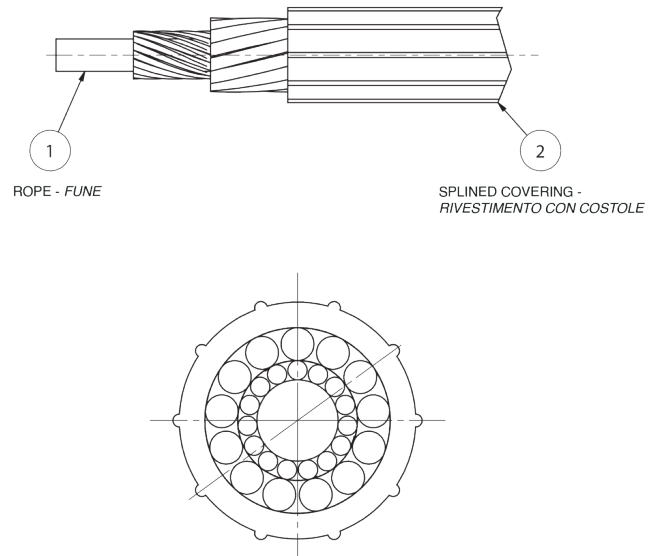
Also known as plastic coated cables, they are steel ropes with plastic flexible, hard-wearing, and abrasion-resistant coating. The usual cover materials are PBT and PA6. Extruding a plastic jacket onto a cable is beneficial due to increased durability which will increase its life span. It delivers improved endurance in pushing and high friction

applications-
They are an alternative to the push pull inner cables for assembling high quality-price ratio control cables.
Made in Italy

COATED WIRE ROPES - FUNI PLASTIFICATE



SPLINED COATED WIRE ROPES - FUNI PLASTIFICATE COSTOLATE



Features - *Caratteristiche*

Versions - <i>Versioni</i>	Ø 3.2	Ø 3.3 splined	Ø 4.7	Ø 4.7 splined	Ø 6.45 splined
SKU - <i>Codice</i>	7C813706	7C814900	7C812185	7C814944	7C816153
Total diameter - <i>Diametro totale</i>	Ø 3.2	Ø 3.3	Ø 4.7	Ø 4.7	Ø 6.45
Core diameter (1)	Ø 2.5	Ø 2.7	Ø 3.0	Ø 2.95	Ø 4.80
Core Type (1)	Rigid metal core	Flexible metal core	Rigid metal core	Rigid metal core	Rigid metal core
Rope - <i>Fune</i> (1)	King wire rope 1 + 12	1 + 6	King wire rope 1 + 12	1 + 12 + 18	1 + 15 + 13
Covering material - <i>materiale rivestimento</i> (2)	PA6	PA6	PBT	PA6	PA 6
Covering profile - <i>profilo rivestimento</i> (2)	Round	Splined	Round	Splined	Splined
related long lay conduit - <i>guaina di riferimento</i>	7G112046	7G112046	7G112855/12914	7G112855/12914	7G112752
	7G213262	7G213262	7G112048	7G112048	



Industria di Leivi s.r.l.

Via Gazzo 1, 16040 Leivi (GE) Italy | Ph +39 0185 35291 | www.industriadileivi.it | email: ilsales@ultraflexgroup.it